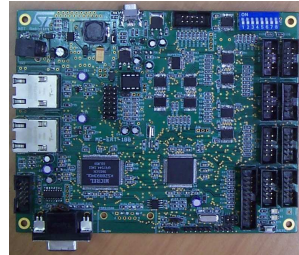


MC-ERT-188

Features

- ST STR9 Microcontroller (Arm9 @ 96MHz)
- 1 Brushless (BLDC) Motor** connector (6 PWM)
- 8 DC Motors** connectors, each with
 - 1 PWM output
 - 2 digital outputs for H-Bridge direction bits
 - 1 analog input
 - 1 quadrature encoder input (500 KHz sampled)
 - 2 digital inputs for joint limit switches
- 8 RC servos** outputs
- 8 channel configuration dipswitch
- Speed and position **control @ 1KHz**
- 2 Ethernet 10/100** ports
- Several communication peripherals (CAN, USB, RS232, I²C, SPI)
- Real Time Ethernet** Protocol Implementation (MTAP)
- Free Development Toolchain based on Eclipse, GCC and GDB



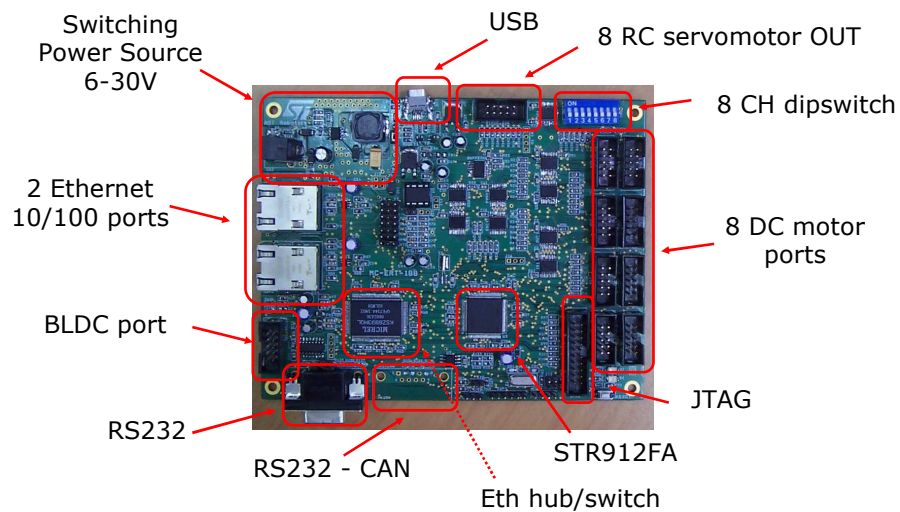
ST Microelectronics

AST Robotics

12 Aug. 2008



MC-ERT-188



ST Microelectronics

AST Robotics

12 Aug. 2008

